

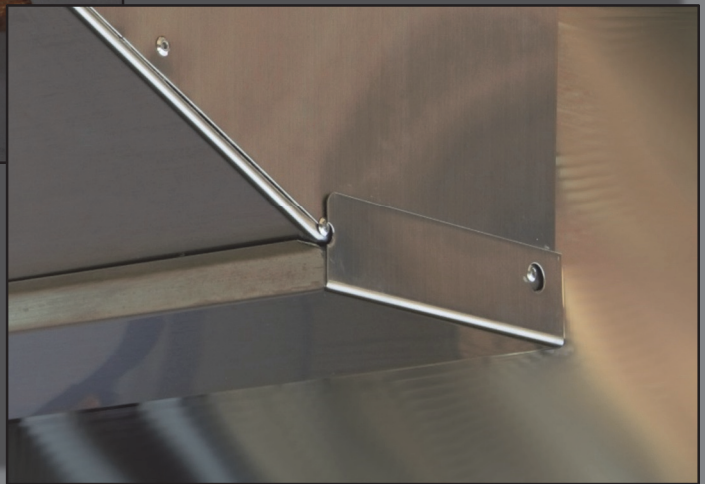
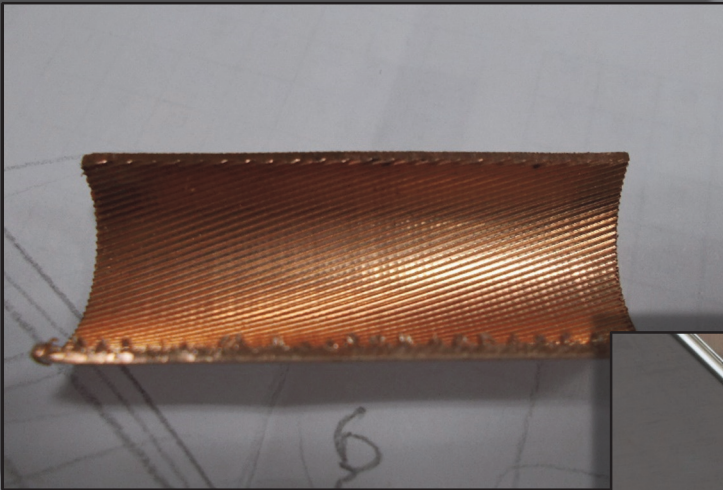


I-Chereng

Born for Innovative Coils



RT unit Cooler
For Reach-in showcase application
展示冷櫃用蒸發器系列



Optional insulation drain pan (選購保溫水盤)



RT Series--The most slim unit coolers for show case! Slim, High efficiency and Energy Saving!

RT 系列--最纖薄展示冷櫃用蒸發器!

纖薄、高效率與節約能源!

Exterior

This series is specially designed for reach-in cold storage showcase. Low profile allows the maximum of display space, light casing is easy to install. Outside dimension is less than 170 mm in height and 400 mm in depth. There are white alumini alloy powder coating and stainless casing for your application.

Interior

Small internal tube volume design decreases the usage of refrigerant. With inner grooved tube, capacity has been upgrade. Double space fin pitch design avoids the frost accumulated too fast.

Functional

This series is carefully designed for better heat transfer in a small cabin. Circuits are well arranged to avoid vapor and liquid separating in evaporator. With patented flapper, lock heat inside cabin during defrosting cycle. And functions as air flow guider in cooling cycle.

外觀

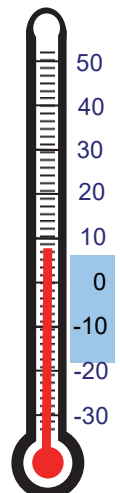
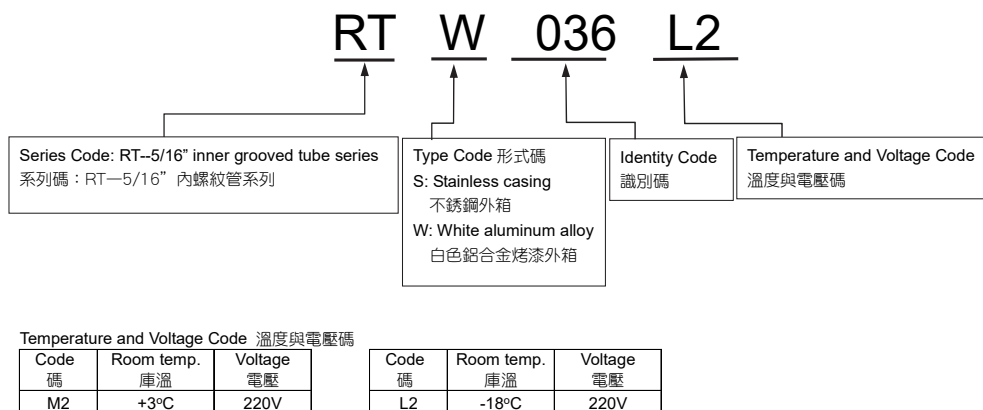
此系列機種是專為展示冷櫃所設計。纖薄的外型減少安裝空間需求，創造最大化展示空間。輕盈的箱體設計安裝簡便。全系列外型尺寸高度不超過 170mm，總深度不超過 400mm。外箱種類分白色鋁合金烤漆與不銹鋼兩種供您選用。

內在

低管內容積設計減少冷媒使用量，全系列採用內螺紋管性能再提高。雙鰭片間距設計避免霜層累積過快。

功能

全系列機種經過詳細設計，在纖薄箱體內有最好的效能發揮。冷媒迴路經過仔細安排，避免冷媒在蒸發器內有液氣分離的情形。全系列裝置有專利導板，在除霜循環時此導板將熱能鎖在箱體內提高除霜效果。在冷卻循環時此導板提供了最佳的氣流分佈。



60Hz

Technical Data

Fin Spacing=5.08mm
 鰭片間距 =5.08mm

MODEL 型號	Capacity 能力 kW	Heat Transfer Area 傳熱面積 m ²	Tube Volume 管內容積 liters	Fan 風車		
	ET= -5°C TD=8°C			Qty. 數量	Dia. 葉徑 mm	Airflow 風量 cmh
RT□030M2	0.607	2.14	0.4	1	203	385
RT□036M2	0.671	2.68	0.5	1	203	366
RT□040M2	0.693	2.98	0.5	1	203	400
RT□048M2	0.800	3.72	0.7	1	203	380
RT□060M2	1.256	4.54	0.8	2	203	674
RT□070M2	1.373	5.45	1.0	2	203	640
RT□087M2	1.553	6.66	1.2	2	203	755
RT□102M2	1.700	7.99	1.4	3	203	718
RT□105M2	2.111	8.07	1.4	3	203	1098

MODEL 型號	Capacity 能力 kW	Heat Transfer Area 傳熱面積 m ²	Tube Volume 管內容積 liters	Fan 風車			Heater 電熱 kW
	ET= -25°C TD=7°C			Qty. 數量	Dia. 葉徑 mm	Airflow 風量 cmh	
RT□030L2	0.426	2.14	0.4	1	203	385	0.8
RT□036L2	0.496	2.68	0.5	1	203	366	0.8
RT□040L2	0.506	2.98	0.5	1	203	400	0.9
RT□048L2	0.577	3.72	0.7	1	203	380	0.9
RT□060L2	0.893	4.54	0.8	2	203	674	1.2
RT□070L2	0.954	5.45	1.0	2	203	640	1.2
RT□087L2	1.123	6.66	1.2	2	203	755	1.4
RT□102L2	1.210	7.99	1.4	3	203	718	1.4
RT□105L2	1.489	8.07	1.4	3	203	1098	1.6

Notes: 說明

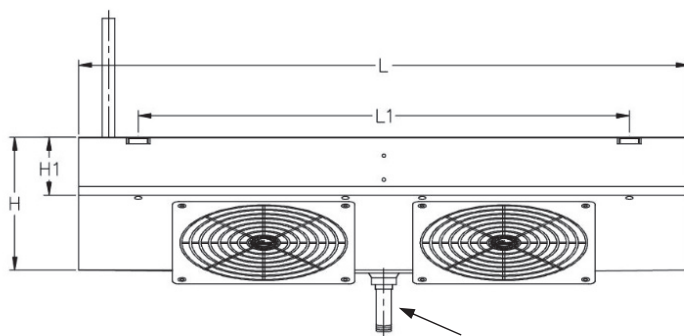
* □:S=Stainless Steel Casing W=White Powder Coating Aluminum Alloy Casing

S=不銹鋼外箱

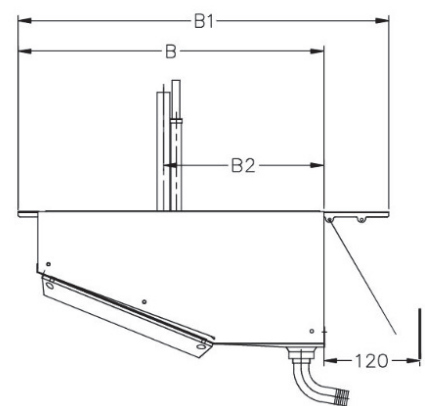
W=白色粉體烤漆鋁合金外箱

Dimension Data

MODEL 型號	Connection 冷媒接管		Dimension 尺寸 mm					Suspension 吊掛位置 mm	
	In 入	Out 出	L	H	H1	B	B2	L1	B1
RT□030M2	5/32"	3/8"	462	166	72	383	200	374	463
RT□036M2	3/8"	1/2"	462	166	72	383	200	374	463
RT□040M2	5/32"	3/8"	657	166	72	383	175	509	463
RT□048M2	3/8"	1/2"	657	166	72	383	200	509	463
RT□060M2	3/8"	1/2"	762	166	72	383	200	614	463
RT□087M2	1/2"	5/8"	1035	166	72	383	200	887	463
RT□102M2	1/2"	5/8"	1035	166	72	423	226	887	463
RT□105M2	1/2"	5/8"	1217	166	72	383	200	1069	463
RT□030L2	5/32"	3/8"	462	166	72	383	200	374	463
RT□036L2	3/8"	1/2"	462	166	72	383	200	374	463
RT□040L2	5/32"	3/8"	657	166	72	383	175	509	463
RT□048L2	3/8"	1/2"	657	166	72	383	200	509	463
RT□060L2	3/8"	1/2"	762	166	72	383	200	614	463
RT□087L2	1/2"	5/8"	1035	166	72	383	200	887	463
RT□102L2	1/2"	5/8"	1035	166	72	423	226	887	463
RT□105L2	1/2"	5/8"	1217	166	72	383	200	1069	463



3/4"



Capacity Selection 能力選擇

All the capacity data listed on the catalog is based on R404A, air inlet condition and the temperature difference between inlet air temperature of coil and evaporating temperature. The condition is listed on Table 1.

For the condition differs from above should be modified by following equation.

$$Q_r = Q_c \times f$$

Q_r : Rating capacity of unit cooler
 Q_c : Capacity of unit cooler listed on catalog
 f : Correction factor for refrigerant on Table 2

We also provide the anti corrosion coils (EnergyGuard® technology), if select the EnergyGuard coating, the capacity should time 0.975 correction factor again.

本型錄所有的能力資料是依據使用 R404A、空氣進入熱交換器的條件以及表 1 所列的熱交換器進口空氣溫度與蒸發溫度差所計算。

當條件與表 1 所列不同時，請依照下式進行能力修正：

$$Q_r = Q_c \times f$$

Q_r : 蒸發器的額定能力
 Q_c : 蒸發器的型錄能力
 f : 表 2 的冷媒修正係數

我們也提供防蝕處理的盤管(衛能防蝕技術®)，如果選購衛能防蝕處理，則能力必須要再乘上 0.975。

Table 1 Catalog capacity conditions
表 1 型錄性能條件

Application 應用	Evap. Temp. 蒸發溫度 °C	Inlet Air Temp. 空氣溫度 °C	Temp. Difference 溫度差 °C	Inlet Air Humidity 空氣濕度 %RH
Storage for 3 °C 冷庫庫溫 3 °C	-5	3	8	82
Storage for -18 °C 冷庫庫溫 -18 °C	-25	-18	7	95

Table 2 Correction factor f for different refrigerants
表 2 不同冷媒修正係數 f 值

Evap. Temp. 蒸發溫度 °C	R404A/R507	R134a
-5	1	0.91
-25	1	0.85

Fan Set Performance 風車性能

All this series models are equipped with patented flapper. Thus take benefits of better air throw in showcase and high efficient defrosting. All performance listed is for free outlet in showcase. In order to make the best effect of flapper, be sure to keep 120 mm away from back panel of showcase while installation

本系列所有機種皆裝設有專利導板，此導板兼具了提升冷櫃內的揚程與除霜效率們。所有的表列風車能力是依據出口端無障礙物時所獲得。為了使導板發揮最佳效果，安裝時請保持離冷櫃背板 120mm 的距離。

Air throw comparison with/without Flapper

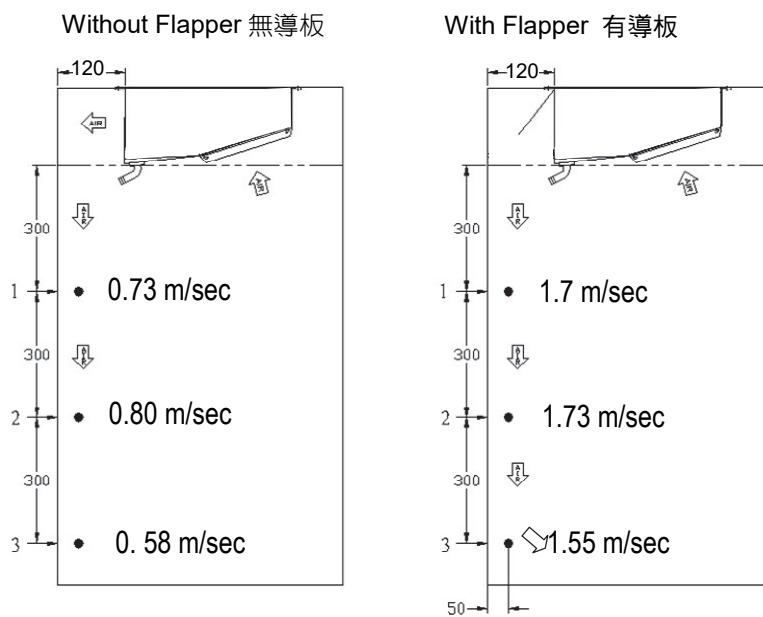


Table 3 Performance table of fan set (for 1set)

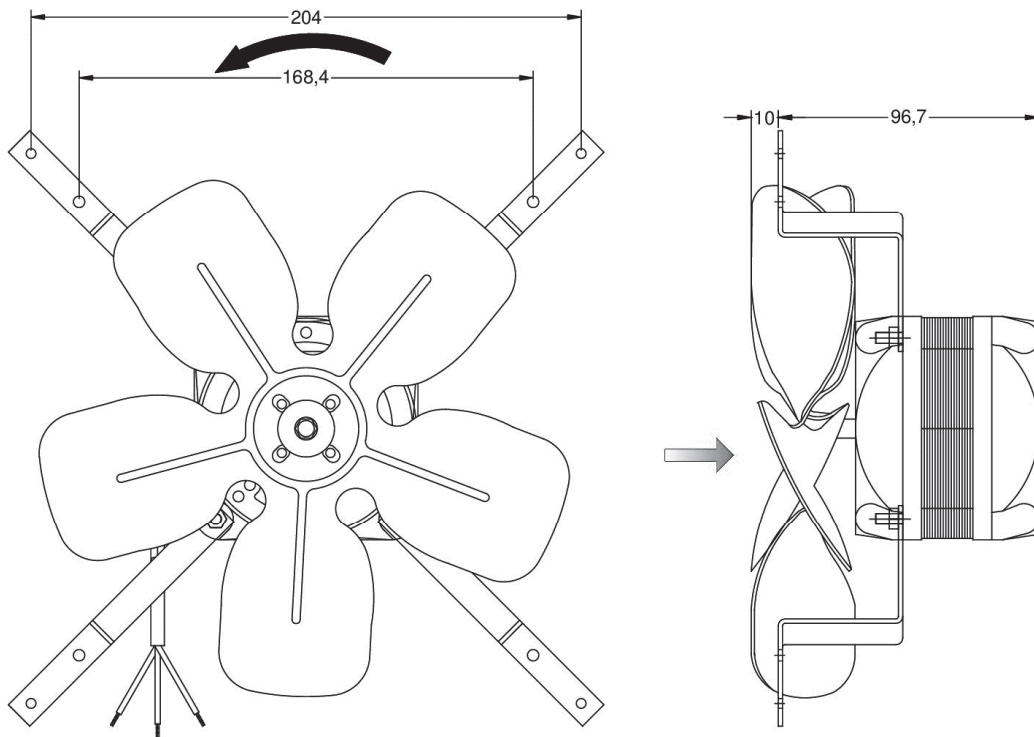
表 3 風車組性能表(單組)

Hz 頻率	Fan Set Model 風車型號	Fan dia. 葉徑 mm	Input 入力 W	Voltage 電壓 V	Rating Current 額定電流 A	Air Throw* 揚程* m
60Hz	6608V	203	9	1 ϕ 220V	0.22	0.9

* @ velocity=1.5m/sec 風速=1.5 公尺/秒

Dimension of Fan set 風車組尺寸

6608V



Heater

電熱

Our heaters are all CE certificated. For highest safety requirement, we strongly recommend to ground the unit cooler and install the overheat protector. (Does not come with our product.)

所有電熱皆符合 CE 安全規範，為確保最高的安全要求，我們強烈建議將蒸發器接地，並安裝過熱保護器（需客戶自行購買產品）。

Parts Specification of our unit coil

熱交換器部品規格

Parts 部品	Specification 規格
Fins 鰭片	Aluminum Alloy 1100 鋁合金 1100
Tubes 管	Copper C1220T—5/16” 紫銅管 C1220T—5/16”
Casing 箱體	W=White Powder Coating Aluminum Alloy H4000 A1050P-H14 鋁合金 H4000 A1050P-H14 板白色粉體烤漆 S=Stainless Steel SUS304 不銹鋼板 SUS304
Fan motor 風車馬達	IP 23
Anti Corrosion(Optional) 鰭片防蝕（選購）	EnergyGuard® 衛能防蝕技術

2015V01 Subject to change without notice! 資料變更恕不另行通知！



I-Cherng Refrigeration Industrial Co., Ltd.

一丞冷凍工業股份有限公司

Heat Exchanger Taiwan 熱交換器 台灣製造

No.12 J Chu Kuang 1st St., Daliao Dist.,

Kaohsiung City, 83164, Taiwan

台灣高雄市大寮區莒光一街 12 號

Tel:07-7873666 Fax:07-7872999

Website: www.icherng.com.tw

Email: icherng.com@msa.hinet.net



Heat Exchanger Taiwan

一丞