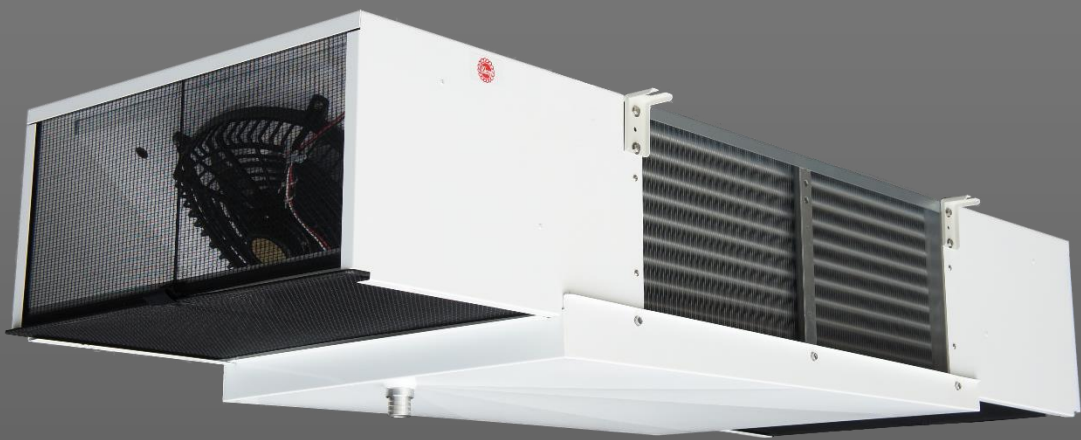


ICherng®

I-Cherng

Born for Innovative Coils



PR **unit cooler**
Procession Room application
作業室應用蒸發器系列

PR Series—for a better control in food processing room! **More Gentle Flow, More steady in Environment Control!**

PR 系列—最佳食品處理室應用蒸發器!

更平緩的氣流、更穩定的環境控制！

Exterior

This series is specially designed for high humidity cold storage and food processing room application. Only 350 mm high profile occupies less space. Dual discharge is to deliver better air flow in storage room.*

Interior

Two heat exchangers inside increases heat transfer area in a small cabinet. Even at low air velocity, this design still can maintain high performance.

Functional

This series is carefully designed to meet the condition of food processing room. With gentle air flow provides the comfortable environment for operators. Large heat transfer area design makes temperature and humidity control much easier. All models are with filter, easy to keep coil clean.

* Except PR12145 and PR12160 (Single throw)

外觀

此系列機種是專為食品處理室應用所設計。高僅 350mm 的設計不佔空間。雙出風設計更容易在冷庫內獲得最佳的氣流分佈。*

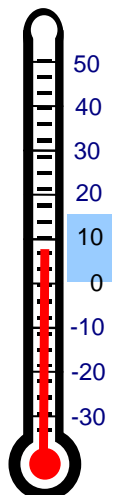
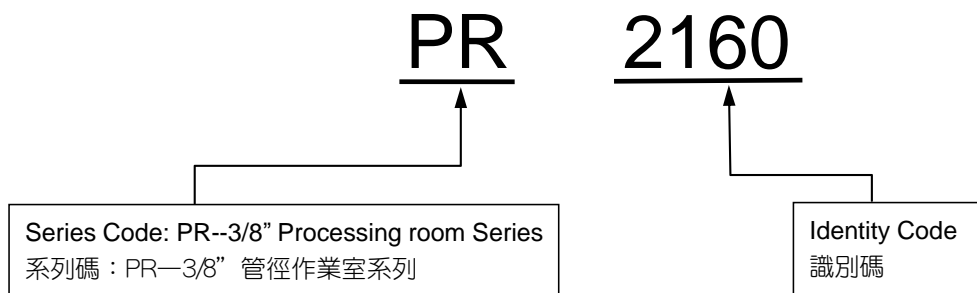
內在

雙熱交換器設計在有限的空間增加熱傳面積，即使在低風速的條件下仍能獲得高效率的熱傳。

功能

全系列機種經過詳細設計，以滿足食品處理室的環境需求。平緩氣流設計提供作業人員最佳的工作環境。高傳熱面積設計使得溫度與溼度控制更加簡單。具有濾網易於保持熱交換器清潔。

* PR12141、PR12160 除外（單面出風）



50Hz

Technical Data

Fin Spacing=5.08mm

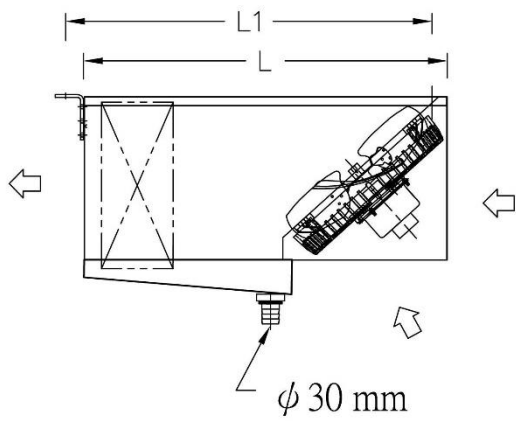
鰭片間距 =5.08mm

MODEL 型號	Capacity 能力 kW	Heat Transfer Area 傳熱面積 m ²	Fan 風車		
	ET= 0°C TD=12°C		Qty. 數量	Dia. 葉徑 mm	Airflow 風量 cmh
PR121045	2.28	4.80	1	304	1200
PR121060	3.05	6.40	1	304	1140
PR122150	6.73	16.0	2	304	2280
PR122200	7.76	21.4	2	304	2214
PR122210	7.88	22.3	2	304	2520
PR122280	9.12	29.8	2	304	2470

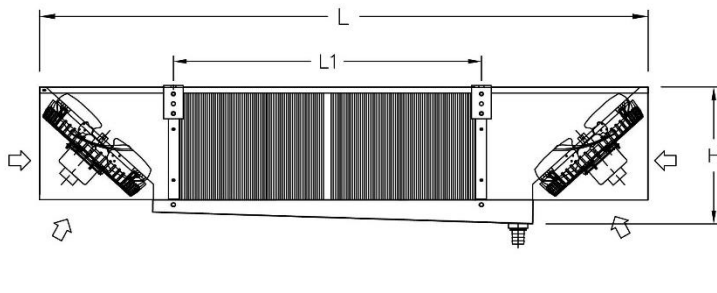
Dimension Data

MODEL 型號	Connection 冷媒接管		Dimension 尺寸 mm			Suspension 吊掛位置 mm	
	In 入	Out 出	L	H	B	L1	B1
PR121045	1/2"	7/8"	700	350	650	650	455
PR121060	1/2"	7/8"	700	350	650	650	455
PR122150	1/2"	7/8"	1577	350	650	791	700
PR122200	1/2"	7/8"	1577	350	650	791	700
PR122210	5/8"	1 1/8"	1881	350	650	1061	700
PR122280	5/8"	1 1/8"	1881	350	650	1061	700

PR12145/PR12160



PR122150~ PR122280



Capacity Selection 能力選擇

All the capacity data listed on the catalog is based on R404A, air inlet condition and the temperature difference between inlet air temperature of coil and evaporating temperature. The condition is listed on Table 1.

For the condition differs from above should be modified by following equation.

$$Q_r = Q_c \times f$$

Q_r : Rating capacity of unit cooler
 Q_c : Capacity of unit cooler listed on catalog
 f : Correction factor for refrigerant on Table 2

We also provide the anti corrosion coils (EnergyGuard® technology), if select the EnergyGuard coating, the capacity should time 0.975 correction factor again.

本型錄所有的能力資料是依據使用 R404A、空氣進入熱交換器的條件以及表 1 所列的熱交換器進口空氣溫度與蒸發溫度差所計算。

當條件與表 1 所列不同時，請依照下式進行能力修正：

$$Q_r = Q_c \times f$$

Q_r : 蒸發器的額定能力
 Q_c : 蒸發器的型錄能力
 f : 表 2 的冷媒修正係數

我們也提供防蝕處理的盤管(衛能防蝕技術®)，如果選購衛能防蝕處理，則能力必須要再乘上 0.975。

Table 1 Catalog capacity conditions
表 1 型錄性能條件

Application 應用	Evap. Temp. 蒸發溫度 °C	Inlet Air Temp. 空氣溫度 °C	Temp. Difference 溫度差 °C	Inlet Air Humidity 空氣濕度 %RH
Storage for 4 °C 冷庫庫溫 4 °C	0	12	12	85

Table 2 Correction factor f for different refrigerants
表 2 不同冷媒修正係數 f 值

Evap. Temp. 蒸發溫度 °C	R404A/R507	R134a
0	1	0.92

Fan Set Performance 風車性能

All performance listed is for free outlet in showcase.

所有表列風車能力是依據出口端無障礙物時所獲得。

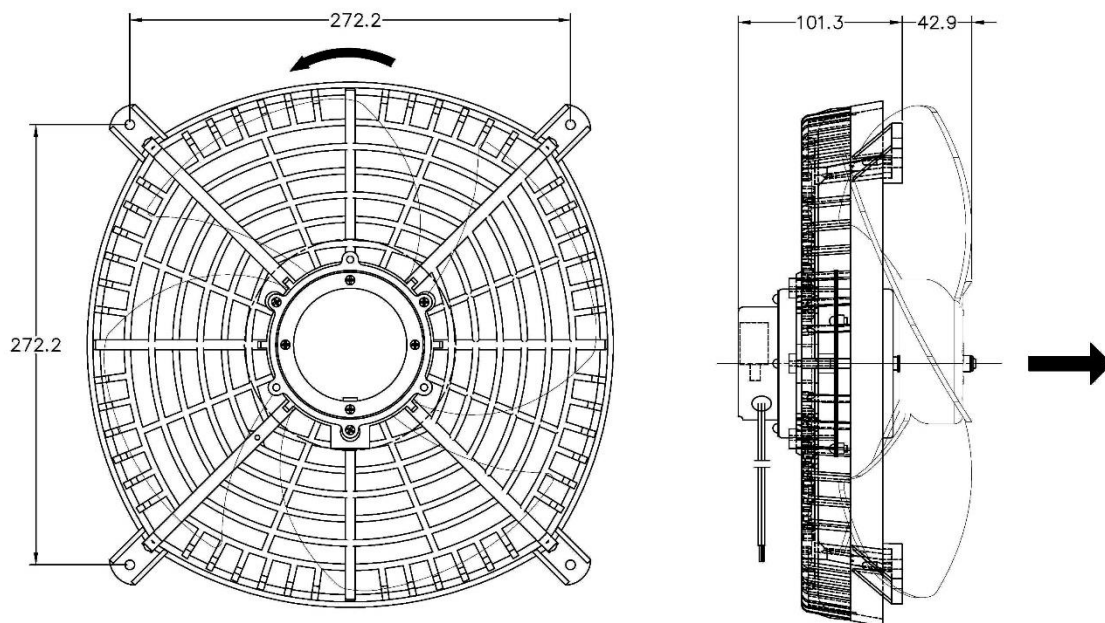
Table 3 Performance table of fan set (for 1set)

表 3 風車組性能表(單組)

Hz 頻率	Fan Set Model 風車型號	Fan dia. 葉徑 mm	Input 入力 W	Voltage 電壓 V	Rating Current 額定電流 A
50Hz	660CG	304	75	1 ϕ 220V	0.41

Dimension of Fan set 風車組尺寸

660CG



Parts Specification of our unit cooler

熱交換器部品規格

Parts 部品	Specification 規格
Fins 鰭片	Aluminum Alloy 1100 鋁合金 1100
Tubes 管	Copper C1220T—3/8” 紫銅管 C1220T—3/8”
Casing 箱體	Painted Galvanized Steel G3302 SG-CC 烤漆鍍鋅鋼板 G3302 SG-CC **Stainless Steel SUS304(Optional) **不銹鋼板 SUS304 (選購)
Fan motor 風車馬達	IP 23
Anti Corrosion(Optional) 鰭片防蝕 (選購)	EnergyGuard® 衛能防蝕技術

Version 2013.0.2 Subject to change without notice! 資料變更恕不另行通知!



I-Cherng Refrigeration Industrial Co., Ltd.

一丞冷凍工業股份有限公司

Heat Exchanger Taiwan 熱交換器 台灣製造

No.12 Chu Kuang 1st St., Daliuo Dist.,

Kaohsiung City, 83164, Taiwan

台灣高雄市大寮區莒光一街 12 號

Tel:07-7873666 Fax:07-7872999

Website: www.icherng.com.tw

Email: icherng.com@msa.hinet.net



Heat Exchanger Taiwan

一丞